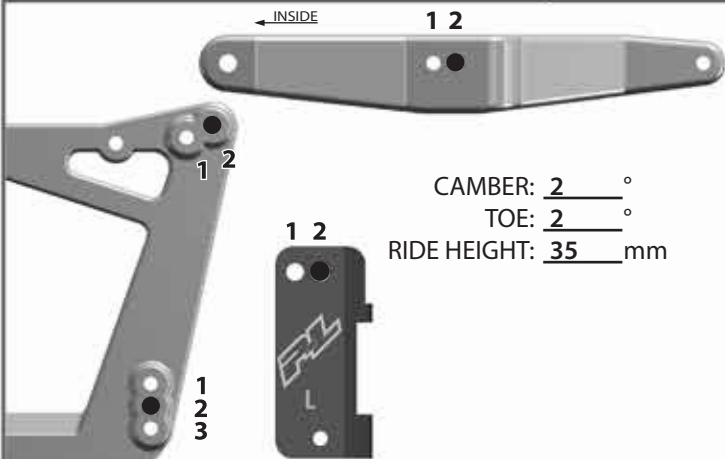


TRACK: Stock PRO-MT Setup
 EVENT: _____
 DRIVER: _____ DATE: _____
 QUAL: _____ FINISH: _____

PRO-MT

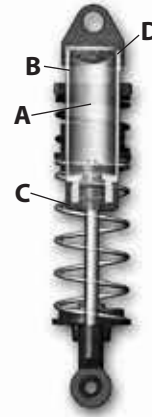
MONSTER TRUCK SETUP SHEET

FRONT PROTRAC SUSPENSION



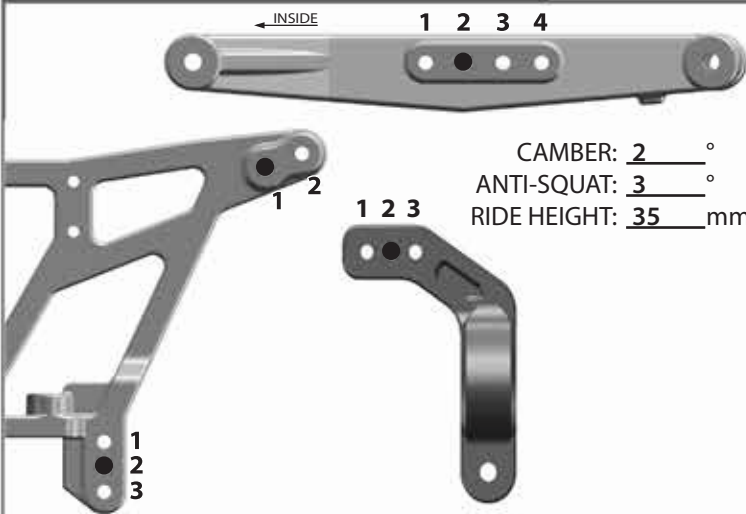
CAMBER: 2 °
 TOE: 2 °
 RIDE HEIGHT: 35 mm

POWERSTROKE FRONT SHOCKS



(A) PISTON: Stock
 OIL WEIGHT: 45 wt
 (B) PRIMARY SPRING: Yellow
 (C) SECONDARY SPRING: Green
 DROOP SPACER: _____
 COMPRESSION SPACER: _____
 (D) SPRING ADJUSTMENT: _____

REAR PROTRAC SUSPENSION



CAMBER: 2 °
 ANTI-SQUAT: 3 °
 RIDE HEIGHT: 35 mm

POWERSTROKE REAR SHOCKS



(A) PISTON: Stock
 OIL WEIGHT: 45 wt
 (B) PRIMARY SPRING: Yellow
 (C) SECONDARY SPRING: Green
 DROOP SPACER: _____
 COMPRESSION SPACER: _____
 (D) SPRING ADJUSTMENT: _____

ELECTRONICS

MOTOR: _____
 ESC: _____
 RECEIVER: _____
 SERVO: _____
 RADIO: _____

TRACK INFORMATION

TRACTION: HIGH MED LOW
 SURFACE: SMOOTH BUMPY BLUE GROOVE
 CONDITIONS: SOFT DIRT CLAY WET DUSTY
 OTHER: _____

FRONT TIRES

REAR TIRES

TIRE: Trencher 2.8" TIRE: Trencher 2.8"
 COMPOUND: M2 COMPOUND: M2
 INSERT: Stock INSERT: Stock
 WHEEL: F-11 2.8" (#2743-03) WHEEL: F-11 2.8" (#2743-03)

TRANSMISSION SETTINGS

PINION: _____
 SPUR GEAR: Stock 86 tooth
 DIFF. OIL: Stock 5,000 wt.

NOTES

For complete step-by-step instructions
 visit PROLINERACING.com

