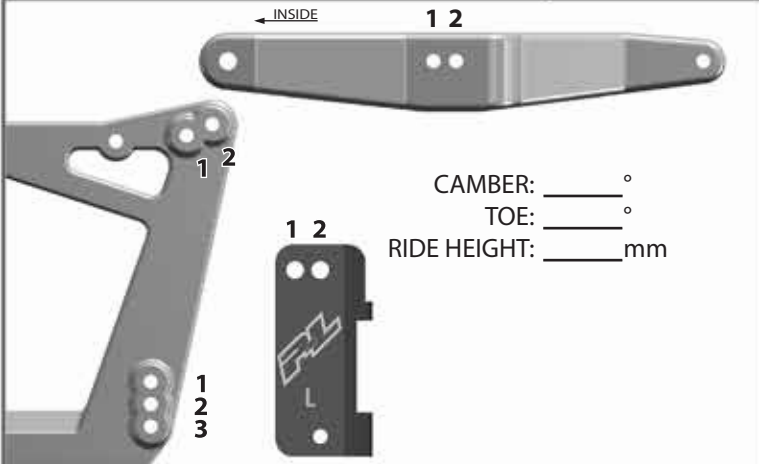


TRACK: _____
 EVENT: _____
 DRIVER: _____ DATE: _____
 QUAL: _____ FINISH: _____

PRO-MIT

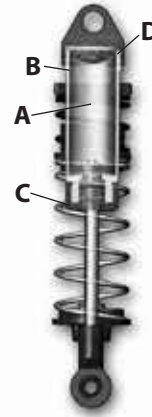
MONSTER TRUCK SETUP SHEET

FRONT PROTRAC SUSPENSION



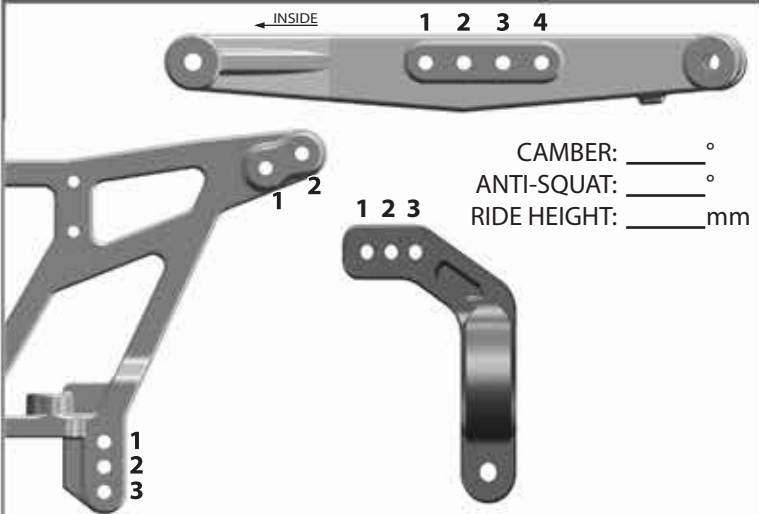
CAMBER: _____ °
 TOE: _____ °
 RIDE HEIGHT: _____ mm

POWERSTROKE FRONT SHOCKS



(A) PISTON: _____
 OIL WEIGHT: _____
 (B) PRIMARY SPRING: _____
 (C) SECONDARY SPRING: _____
 DROOP SPACER: _____
 COMPRESSION SPACER: _____
 (D) SPRING ADJUSTMENT: _____

REAR PROTRAC SUSPENSION



CAMBER: _____ °
 ANTI-SQUAT: _____ °
 RIDE HEIGHT: _____ mm

POWERSTROKE REAR SHOCKS



(A) PISTON: _____
 OIL WEIGHT: _____
 (B) PRIMARY SPRING: _____
 (C) SECONDARY SPRING: _____
 DROOP SPACER: _____
 COMPRESSION SPACER: _____
 (D) SPRING ADJUSTMENT: _____

ELECTRONICS

MOTOR: _____
 ESC: _____
 RECEIVER: _____
 SERVO: _____
 RADIO: _____

TRACK INFORMATION

TRACTION:	HIGH	MED	LOW
SURFACE:	SMOOTH	BUMPY	BLUE GROOVE
CONDITIONS:	SOFT DIRT	CLAY	WET DUSTY

OTHER: _____

TRANSMISSION SETTINGS

PINION: _____
 SPUR GEAR: _____
 DIFF. OIL: _____

NOTES

FRONT TIRES

TIRE: _____
 COMPOUND: _____
 INSERT: _____
 WHEEL: _____

REAR TIRES

TIRE: _____
 COMPOUND: _____
 INSERT: _____
 WHEEL: _____

For complete step-by-step instructions
 visit PROLINERACING.com

PRO-LINE