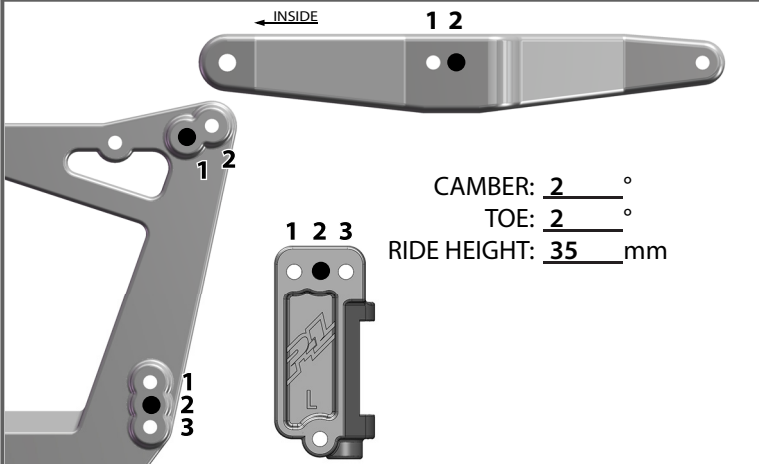


TRACK: Outdoor Setup
 EVENT: _____
 DRIVER: _____ DATE: _____
 QUAL: _____ FINISH: _____

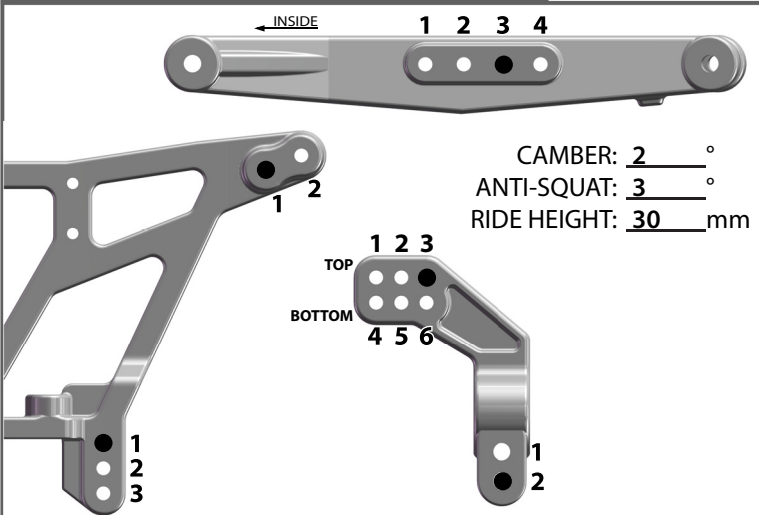
PRO-2

SETUP SHEET

FRONT SUSPENSION



REAR SUSPENSION



ELECTRONICS

MOTOR: NOVAK Ballistic 8.5
 ESC: NOVAK Pulse
 RECEIVER: Spektrum
 SERVO: HITEC
 RADIO: Spektrum

TRACK INFORMATION

TRACTION: HIGH (MED) LOW
 SURFACE: (SMOOTH) BUMPY BLUE GROOVE
 CONDITIONS: SOFT DIRT CLAY WET (DUSTY)
 OTHER: _____

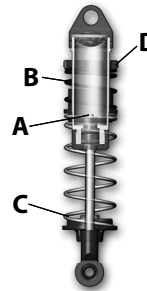
FRONT TIRES

TIRE: Bow-Fighter SC
 COMPOUND: M3
 INSERT: Closed Cell
 WHEEL: Renegade
 Bead-Loc

REAR TIRES

TIRE: Tazer SC
 COMPOUND: M3
 INSERT: Closed Cell
 WHEEL: Renegade
 Bead-Loc

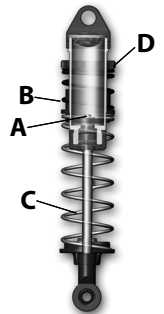
POWERSTROKE FRONT SHOCKS



(A) PISTON: Stock
 OIL WEIGHT: 45 wt
 (B) PRIMARY SPRING: Yellow
 (C) SECONDARY SPRING: Green
 DROOP SPACER: 2 mm
 COMPRESSION SPACER: 0 mm
 (D) SPRING ADJUSTMENT: _____ mm

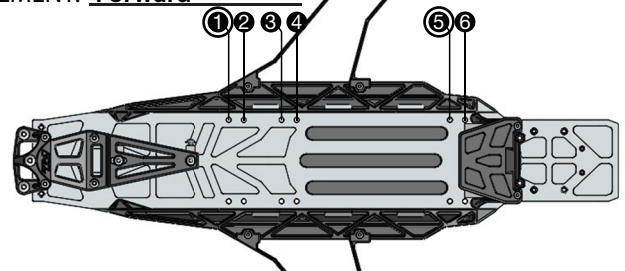
POWERSTROKE REAR SHOCKS

(A) PISTON: Stock
 OIL WEIGHT: 35 wt
 (B) PRIMARY SPRING: Green
 (C) SECONDARY SPRING: Green
 DROOP SPACER: 2 mm
 COMPRESSION SPACER: 0 mm
 (D) SPRING ADJUSTMENT: _____ mm



BATTERY PLACEMENT

BATTERY: REEDY
 PLACEMENT: Forward



TRANSMISSION SETTINGS

PINION: 19 tooth
 SPUR GEAR: 86 tooth
 DIFF. OIL: 3,000 wt.

NOTES

Add three 1/4 oz. weights under steering rack. Add two 1/4 oz. weights on the front bulkhead.

RESET FORM

v.1

For complete step-by-step instructions
 visit PROLINERACING.com

