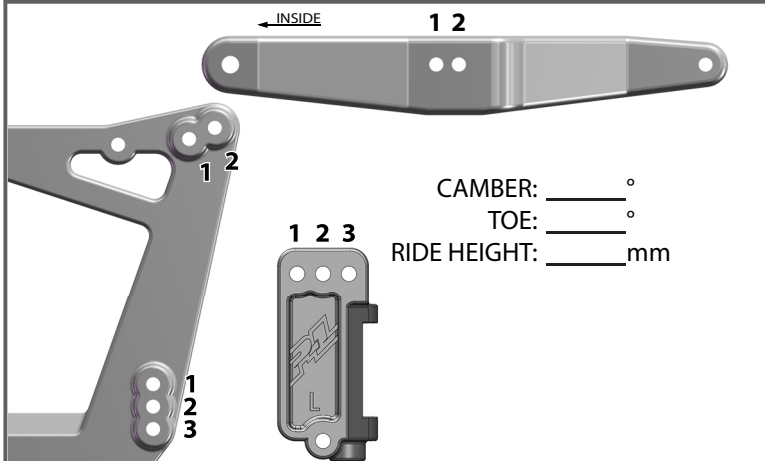


TRACK: _____
 EVENT: _____
 DRIVER: _____ DATE: _____
 QUAL: _____ FINISH: _____

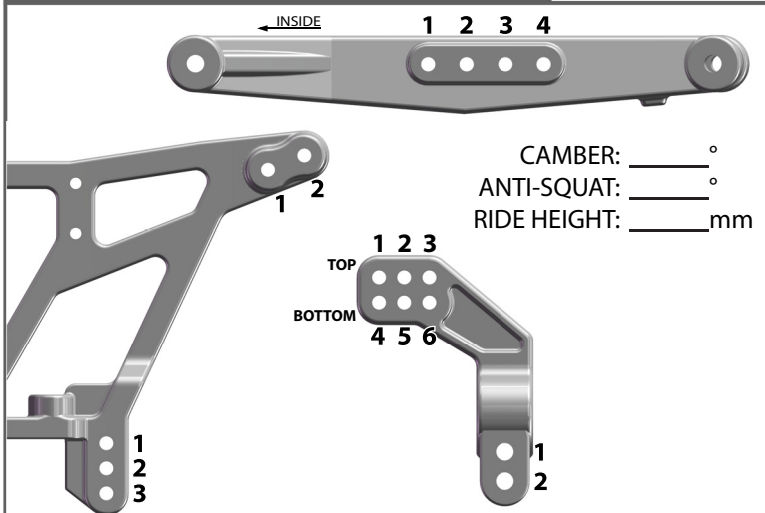
PRO-2

SETUP SHEET

FRONT SUSPENSION



REAR SUSPENSION



ELECTRONICS

MOTOR: _____
 ESC: _____
 RECEIVER: _____
 SERVO: _____
 RADIO: _____

TRACK INFORMATION

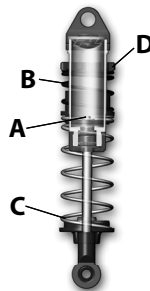
TRACTION:	HIGH	MED	LOW	
SURFACE:	SMOOTH	BUMPY	BLUE GROOVE	
CONDITIONS:	SOFT DIRT	CLAY	WET	DUSTY
OTHER:	_____			

FRONT TIRES

REAR TIRES

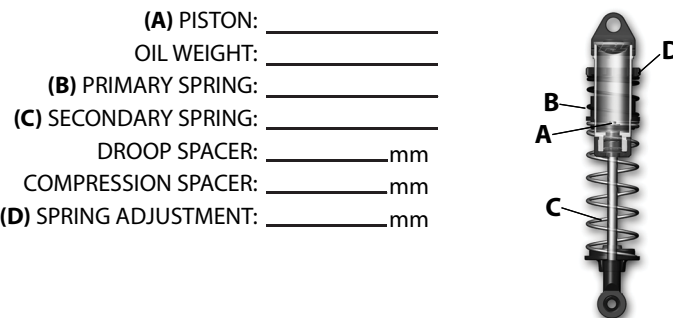
TIRE: _____	TIRE: _____
COMPOUND: _____	COMPOUND: _____
INSERT: _____	INSERT: _____
WHEEL: _____	WHEEL: _____

POWERSTROKE FRONT SHOCKS



(A) PISTON: _____
 OIL WEIGHT: _____
 (B) PRIMARY SPRING: _____
 (C) SECONDARY SPRING: _____
 DROOP SPACER: _____ mm
 COMPRESSION SPACER: _____ mm
 (D) SPRING ADJUSTMENT: _____ mm

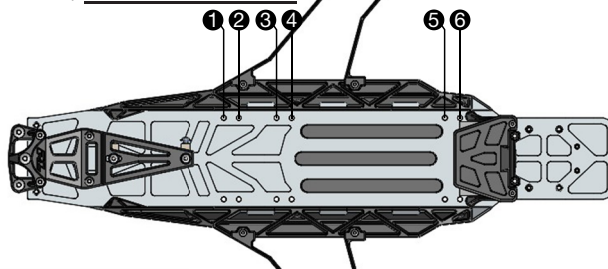
POWERSTROKE REAR SHOCKS



(A) PISTON: _____
 OIL WEIGHT: _____
 (B) PRIMARY SPRING: _____
 (C) SECONDARY SPRING: _____
 DROOP SPACER: _____ mm
 COMPRESSION SPACER: _____ mm
 (D) SPRING ADJUSTMENT: _____ mm

BATTERY PLACEMENT

BATTERY: _____
 PLACEMENT: _____



TRANSMISSION SETTINGS

PINION: _____
 SPUR GEAR: _____
 DIFF. OIL: _____

NOTES

RESET FORM v.1

For complete step-by-step instructions
 visit PROLINERACING.com/pro-2

