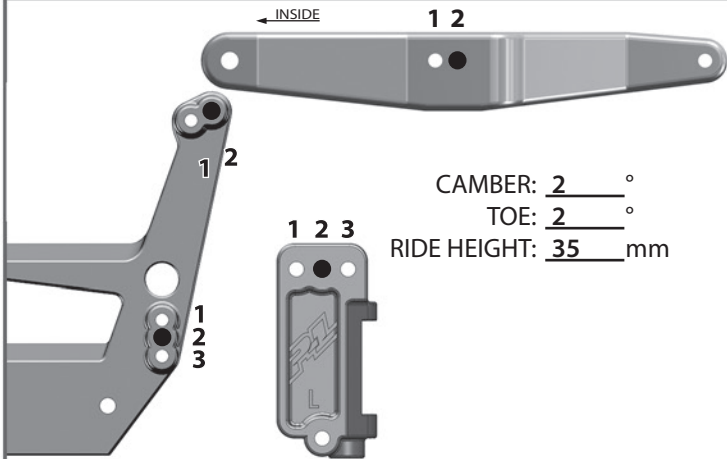


TRACK: Stock PRO-2 Buggy Setup
 EVENT: _____
 DRIVER: _____ DATE: _____
 QUAL: _____ FINISH: _____

PRO-2

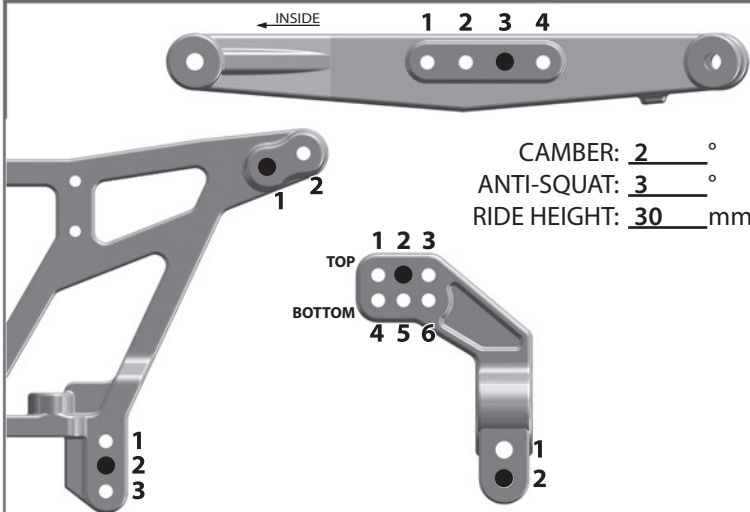
SC BUGGY SETUP SHEET

FRONT PROTRAC SUSPENSION



CAMBER: 2 °
 TOE: 2 °
 RIDE HEIGHT: 35 mm

REAR PROTRAC SUSPENSION



CAMBER: 2 °
 ANTI-SQUAT: 3 °
 RIDE HEIGHT: 30 mm

ELECTRONICS

MOTOR: _____
 ESC: _____
 RECEIVER: _____
 SERVO: _____
 RADIO: _____

TRACK INFORMATION

TRACTION:	HIGH	MED	LOW
SURFACE:	SMOOTH	BUMPY	BLUE GROOVE
CONDITIONS:	SOFT DIRT	CLAY	WET DUSTY

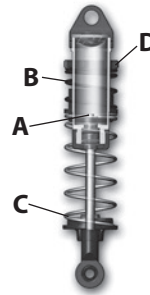
OTHER: _____

FRONT TIRES

REAR TIRES

TIRE: <u>Blockade SC</u>	TIRE: <u>Blockade SC</u>
COMPOUND: <u>M3</u>	COMPOUND: <u>M3</u>
INSERT: <u>Closed Cell</u>	INSERT: <u>Closed Cell</u>
WHEEL: <u>F-11 Pro-Trac</u>	WHEEL: <u>F-11 Pro-Trac</u>

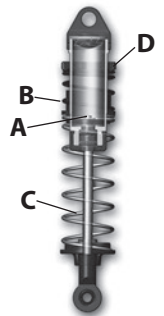
POWERSTROKE FRONT SHOCKS



(A) PISTON: Stock
 OIL WEIGHT: 35 wt
 (B) PRIMARY SPRING: Yellow
 (C) SECONDARY SPRING: Green
 DROOP SPACER: _____ mm
 COMPRESSION SPACER: _____ mm
 (D) SPRING ADJUSTMENT: _____ mm

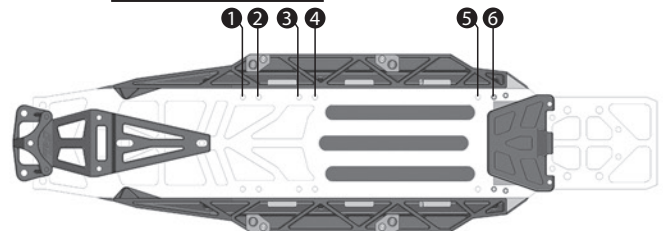
POWERSTROKE REAR SHOCKS

(A) PISTON: Stock
 OIL WEIGHT: 35 wt
 (B) PRIMARY SPRING: Yellow
 (C) SECONDARY SPRING: Green
 DROOP SPACER: _____ mm
 COMPRESSION SPACER: _____ mm
 (D) SPRING ADJUSTMENT: _____ mm



BATTERY PLACEMENT

BATTERY: _____
 PLACEMENT: _____



TRANSMISSION SETTINGS

PINION: _____
 SPUR GEAR: Stock 86 tooth
 DIFF. OIL: Stock 5,000 wt.

NOTES
