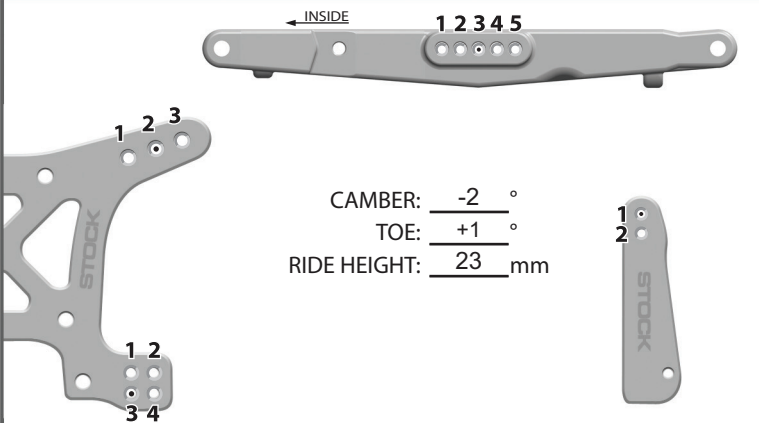


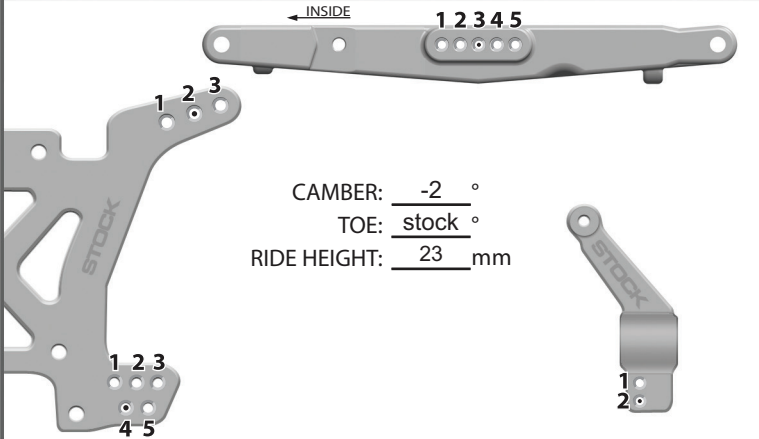
TRACK: BASE SETUP
 EVENT: _____
 DRIVER: _____ DATE: _____
 QUAL: _____ FINISH: _____

PROTRAC™ SUSPENSION KIT for SLASH® 4x4

FRONT SUSPENSION



REAR SUSPENSION



ELECTRONICS

MOTOR: _____
 PINION: _____ BATTERY: _____
 SPUR GEAR: _____ PLACEMENT: _____

TRACK INFORMATION

TRACTION: HIGH MED LOW
 SURFACE: SMOOTH BUMPY BLUE GROOVE
 CONDITIONS: SOFT DIRT CLAY WET DUSTY
 OTHER: _____

FRONT TIRES

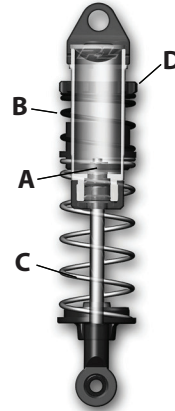
TIRE: _____ TIRE: _____
 COMPOUND: _____ COMPOUND: _____
 INSERT: _____ INSERT: _____
 WHEEL: _____ WHEEL: _____

REAR TIRES

COMMENTS

Hard front & rear swaybars (black)

POWERSTROKE FRONT SHOCKS



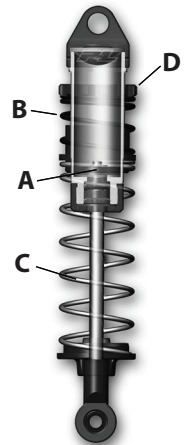
(A) PISTON: STOCK
 OIL WEIGHT: 60W
 (B) PRIMARY SPRING: RED
 (C) SECONDARY SPRING: YELLOW
 DROOP SPACER: 0 mm
 COMPRESSION SPACER: 0 mm
 (D) SPRING ADJUSTMENT: 6 mm

STOCK SHOCKS

(A) PISTON: _____
 OIL WEIGHT: _____
 SPRING: _____
 DROOP SPACER: _____ mm
 COMPRESSION SPACER: _____ mm
 (D) SPRING ADJUSTMENT: _____ mm

POWERSTROKE REAR SHOCKS

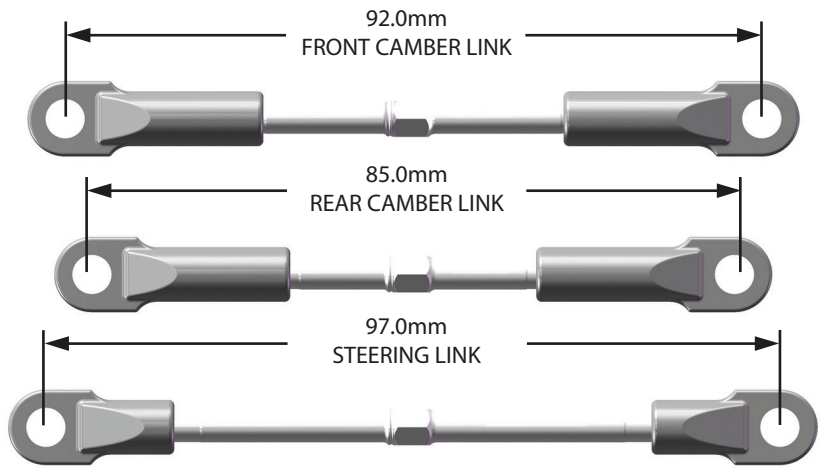
(A) PISTON: STOCK
 OIL WEIGHT: 50W
 (B) PRIMARY SPRING: RED
 (C) SECONDARY SPRING: YELLOW
 DROOP SPACER: 0 mm
 COMPRESSION SPACER: 0 mm
 (D) SPRING ADJUSTMENT: 4 mm



STOCK SHOCKS

(A) PISTON: _____
 OIL WEIGHT: _____
 SPRING: _____
 DROOP SPACER: _____ mm
 COMPRESSION SPACER: _____ mm
 (D) SPRING ADJUSTMENT: _____ mm

LINK SETTINGS



RESET FORM v.1

For complete step-by-step instructions
 visit PROLINERACING.com/how-to-tips

