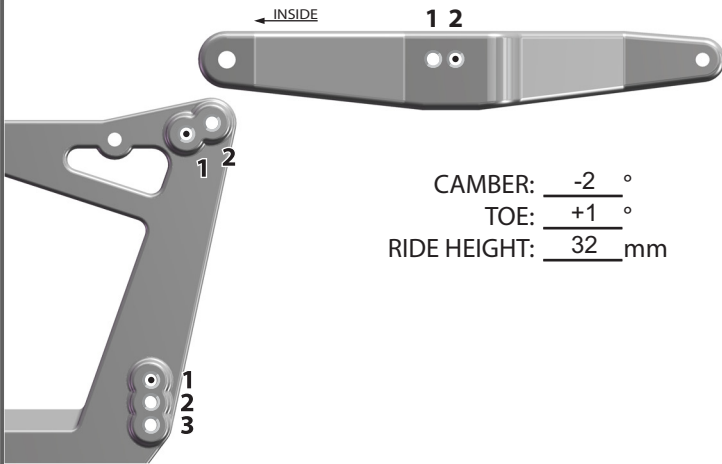


TRACK: HIGH BITE _____
 EVENT: _____
 DRIVER: _____ DATE: _____

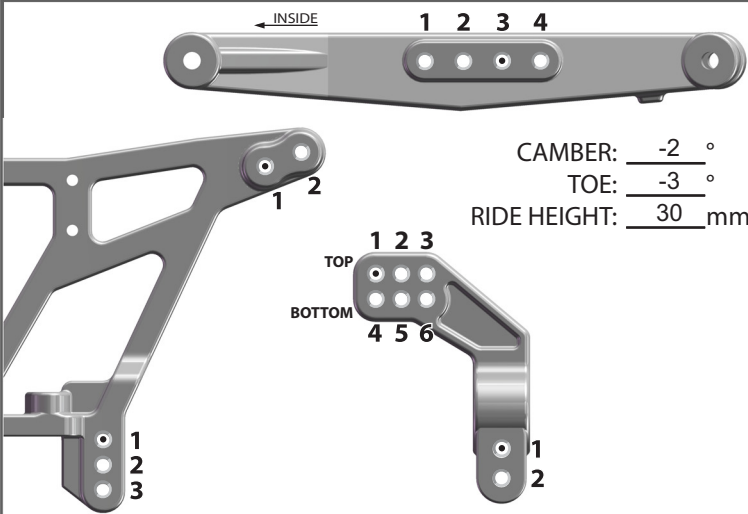
PROTRAC™ SUSPENSION KIT FOR SLASH®

FRONT SUSPENSION



CAMBER: -2°
 TOE: $+1^\circ$
 RIDE HEIGHT: 32 mm

REAR SUSPENSION



CAMBER: -2°
 TOE: -3°
 RIDE HEIGHT: 30 mm

ELECTRONICS

MOTOR: _____
 PINION: _____ BATTERY: _____
 SPUR GEAR: _____ PLACEMENT: _____

TRACK INFORMATION

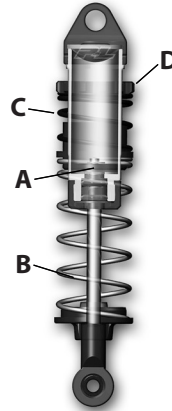
TRACTION: HIGH MED LOW
 SURFACE: SMOOTH BUMPY BLUE GROOVE
 CONDITIONS: SOFT DIRT CLAY WET DUSTY
 OTHER: Set link lengths according to Camber/Toe spec

FRONT TIRES

TIRE: _____ TIRE: _____
 COMPOUND: _____ COMPOUND: _____
 INSERT: _____ INSERT: _____
 WHEEL: _____ WHEEL: _____

REAR TIRES

POWERSTROKE FRONT SHOCKS



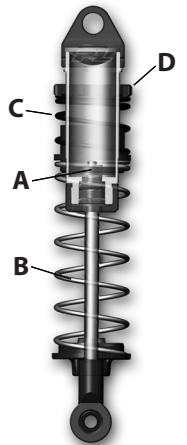
(A) PISTON: Stock
 OIL WEIGHT: 45
 (B) PRIMARY SPRING: Green
 (C) SECONDARY SPRING: Blue
 DROOP SPACER: N/A mm
 COMPRESSION SPACER: N/A mm
 (D) SPRING ADJUSTMENT: 0 mm

STOCK SHOCKS

(A) PISTON: _____
 OIL WEIGHT: _____
 SPRING: _____
 DROOP SPACER: _____ mm
 COMPRESSION SPACER: _____ mm
 (D) SPRING ADJUSTMENT: _____ mm

POWERSTROKE REAR SHOCKS

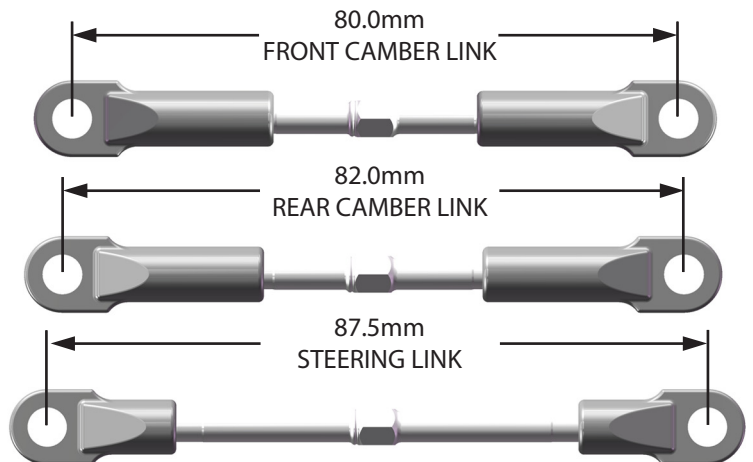
(A) PISTON: Stock
 OIL WEIGHT: 40
 (B) PRIMARY SPRING: Green
 (C) SECONDARY SPRING: Green
 DROOP SPACER: N/A mm
 COMPRESSION SPACER: N/A mm
 (D) SPRING ADJUSTMENT: 0 mm



STOCK SHOCKS

(A) PISTON: _____
 OIL WEIGHT: _____
 SPRING: _____
 DROOP SPACER: _____ mm
 COMPRESSION SPACER: _____ mm
 (D) SPRING ADJUSTMENT: _____ mm

LINK SETTINGS



RESET FORM v.1

For complete step-by-step instructions
 visit PROLINERACING.com

