



#6059-00 CGR Vertical Body Mount Kit

For Axial Scorpion AX10



Installation for the CGR Vertical Body Mount Kit on Scorpion AX10

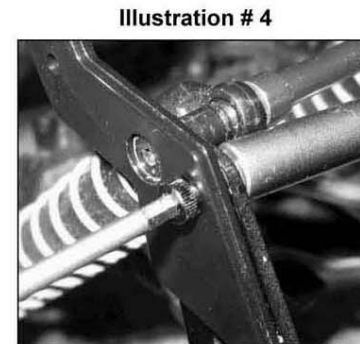
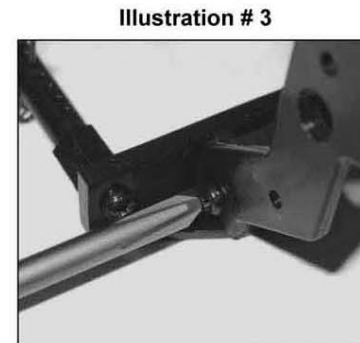
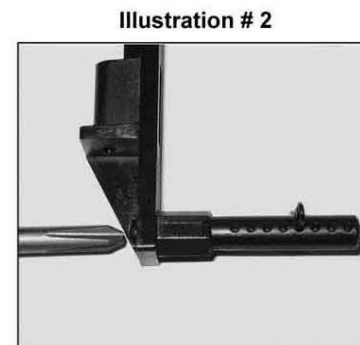
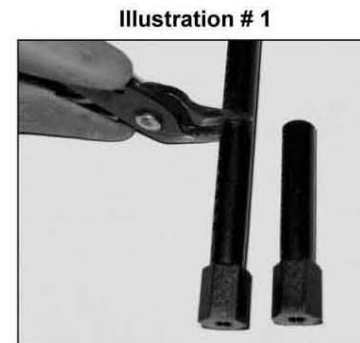
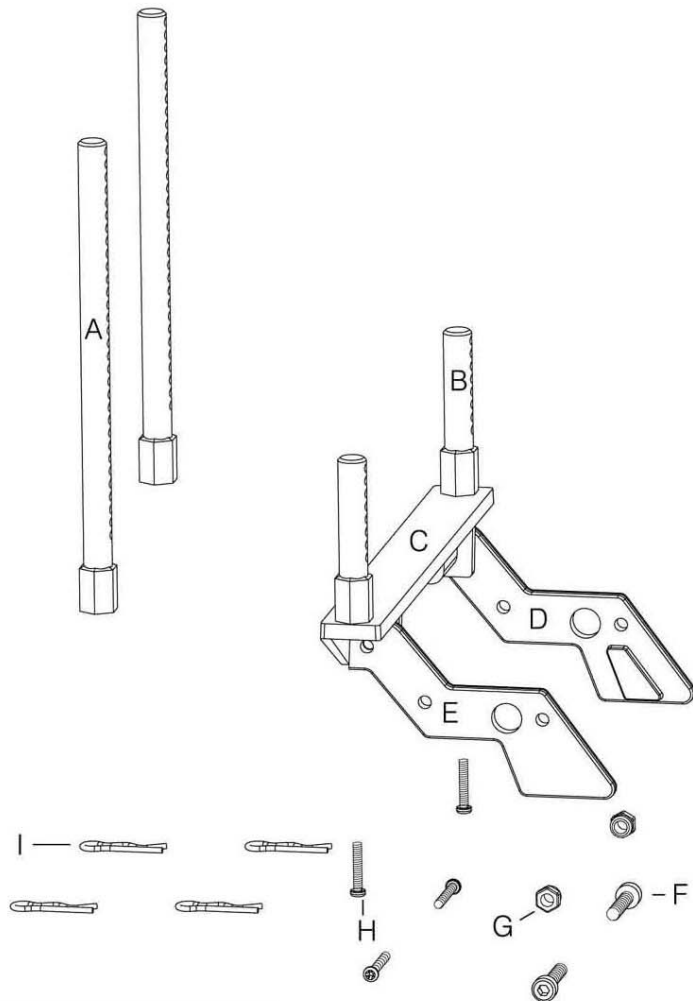
This kit is designed to vertically mount large Cab and CGR style bodies on the Axial Scorpion AX10.

#1 Locate the 4 body posts in the hardware bag. Two long posts have been provided for larger style bodies like the Ambush and Bushwhacker. For the CGR Bodies, You will need to trim the two longer posts down to the length of the short posts included with this kit. All four posts should now be the same length. (See Illustration #1)

#2 Attach 2X posts to each Body Post Bridge using 1X M3 Self Tapping Screw. Do this 2X times for Each Body Post Bridge being sure to position the holes for the body clips in the direction that will best fit your body's requirements. (See Illustration #2)

#3 Next, attach 1X each Left and Right Frame Extension using 1X M3 Self Tapping Screw to the Sides of each body post bridge as shown in the diagram to the left. You will need to do this 4X times, 2X for each bridge. (See Illustration #3)

#4 With The Body Post Sub Assemblies complete, you can now install 1X of each sub assembly to each end of your AX10 frame. The large holes in each frame extension plate are designed to slip over the existing shock mounting screws and washers. Be sure the plates fit flush against the outer sides of the frame plates and the locator tabs are secure in the frame plate slots. Secure each frame extension to your AX10 chassis using the M3 X 14mm Allen Head Screws and M3 Lock Nuts. Do this 4X times, 2X for each extension (See Illustration #4)



Parts List

- A: Body Posts - Long - X2
- B: Body Posts - Short - X2
- C: Body Post Bridge - X2
- D: Right Frame Extension - X2
- E: Left Frame Extension - X2
- F: M3 X 14mm Allen Head Screw - X4
- G: M3 Lock Nut -X4
- H: M3 Self Tapping Screw - X8
- I : Wire Body Clips - X8

Be Sure to Check out these other cool Off Road / Crawler Accessories on line at www.prolineracing.com

- #6040-00 Crawler Tools Accessories Pack #1
- #6045-00 Crawler Tools Accessories Pack #
- #6049-00 Crawler / Off Road Roof Rack
- #6047-00 Lighting Assortment / Light Bar

- #6048-00 Scorpion AX10 Front Frame Extension
- #6049-00 Scorpion AX10 Rock Sliders
- #6052-00 Western Bumpers

www.PROLINERACING.com

P.O. Box 456 Beaumont, CA 92223 t 951.849.9781

e: customerservice@prolineracing.com